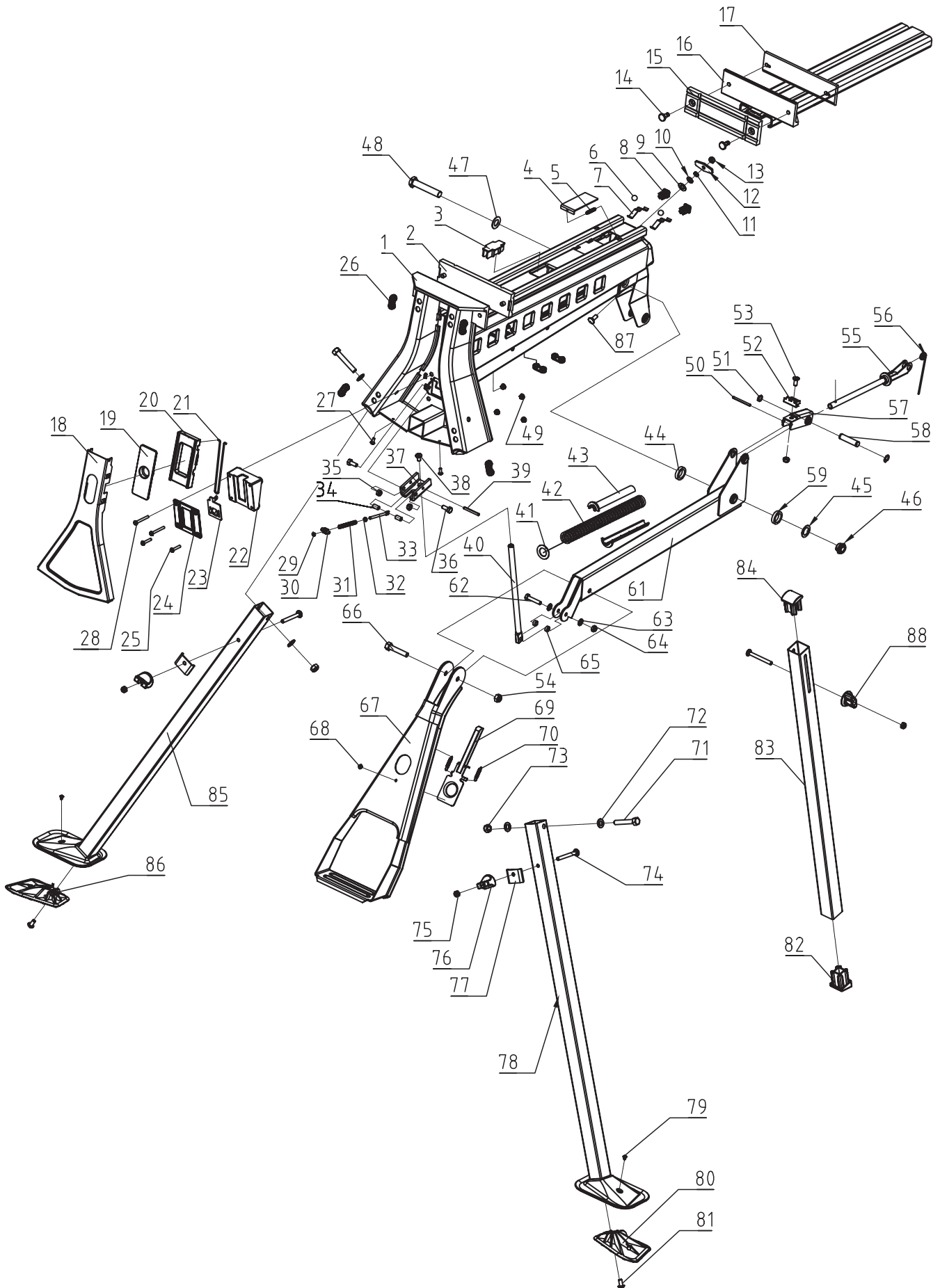




SJA200 - SuperJaws Portable Clamping System





SJA200 - SuperJaws Portable Clamping System

No.	Description	Qty.
1	WELD MAIN BODY ASSEMBLY	1
2	SOFT JAWS FIXED	1
3	RETURN SPRING ACCESS PLUG	1
4	SLIDING COVER	1
5	SLIDEING COVER SPRING	1
6	ANTI SLIDEBACK BALL	2
7	ANTI SLIDEBACK SPRING	2
8	RAIL END CAP	2
9	M8 WASHER	1
10	WASHER 6	1
11	M6 SPRING WASHER	1
12	JAW LOCK	1
13	M6 NYLOCK	5
14	SOFT JAW STUD	2
15	SOFT JAW MOVING	1
16	WELDED MOVING JAW ASSEMBLY	1
17	SOFT JAW BACKING	1
18	COVER PLATE	1
19	SWITCH	1
20	SWITCH RETAINER	1
21	WIRE LINK	1
22	SLAVE SLIDER HOUSING	1
23	SLAVE SLIDER	1
24	SLAVE SLIDER RETAINER	1
25	M4X24 PAN HEAD SCREW	2
26	RUBBER FOOT	6
27	M4X10 PAN HEAD SCREW	2
28	M4X40 PAN HEAD SCREW	2
29	3.2MM E-CLIP	1
30	SWIVEL	1



SJA200 - SuperJaws Portable Clamping System

No.	Description	Qty.
31	BLASING SPRING	1
32	WASHER 4	1
33	BLASING SPRING GUIDE	1
34	LOCK PAWL PIN SPACER	2
35	M6 HEX NUT	2
36	M6X15 HEX BOLT	2
37	LOCK PAWL	1
38	M6X16 CS SOCKET SCREW	1
39	LOCK PAWL PIN	1
40	LOCK SHAFT	1
41	RETURN SPRING WASHER	1
42	RETURN SPRING	1
43	RETURN SPRING LINER	2
44	REAR PIVOT SPACER	2
45	15.5MM SPECIAL WASHER	1
46	M12 SPECIAL NUT	1
47	12.5MM SPECIAL WASHER	1
48	M12x62 SPECIAL BOLT	1
49	M4 FLANGE NUT	4
50	DRIVE PAWL RETAINING	1
51	9 MM CIRCLIP	2
52	DRIVE PAWL TEETH	1
53	M6X16 CS BOLT	1
54	M8 NYLOCK	1
55	WELD RETURN SPRING ASSEMBLY	1
56	DRIVE PAWL SPRING	1
57	DRIVE PAWL RETAINING	1
58	DRIVE PAWL PIVOT PIN	1
61	ARM ASSEMBLY	1
62	M6X30 HEX BOLT	1



SJA200 - SuperJaws Portable Clamping System

No.	Description	Qty.
63	LOCK SHAFT SPACER	2
64	M6 HEX NUT	1
65	LOCK SHAFT SPACER	2
66	M8X42 HEX BOLT	1
67	WELDEDPEDAL ASSEMBLY	1
68	RIVET	5
69	LATCH BAR	1
70	LATCH SPRING	2
71	M8X50 HEX BOLT	2
72	M8 WASHER	4
73	M8 NYLOCK	2
74	M6X55 COACHBOLT	3
75	M6 NYLOCK	2
76	LEG LATCH	2
77	LEG LATCH BASE	2
78	WELDED RIGHT LEG ASSEMBLY	2
79	3.5X6 SELF TAPPING SCREW	2
80	RH PLASTIC FOOT	1
81	M5X16 PAN HEAD SCREW	2
82	REAR FOOT	1
83	REAR LEG	1
84	REAR LEG END CAP	1
85	WELDED LEFT LEG ASSEMBLY	1
86	LH PLASTIC FOOT	1
87	M6X16 COACH BOLT	1
88	M6 ROUND KNOB	1
89	PEDAL STOP CHANNEL	1